

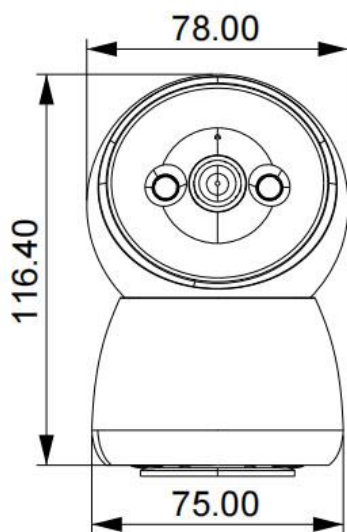
V2CAM-ROBOT

3.0MP Pan/Tilt Wi-Fi Camera



Key Features:

- Human Detection and Tracking
- Human Intelligent Snapshot Function
- Onekey Two-Way Talk (Built-in Audio Input and Output)
- Support Micro SD Card Storage, Maximum Support 128G;
- Support Real-time Remote Control
- 2 Infrared Light
- Baby cry detection



Specifications		
Camera		
Image Sensor	1/ 2.9" CMOS	
Max Resolution	2304*1296	
Effective Pixels	3.0MP	
Compression Standard	H.265&H.264	
Frame Rate	15fps	
Main Stream	3MP(2304*1296)/2MP(1920*1080)/1MP(1280*720)	
Sub Stream	448P(800*448)/D1(704*576)/360P(640*360) / CIF(352*288)	
SNR (dB)	50dB	
Lens	4mm / M12 Interface	
Day & Night	Support, IR up to 15-20m	
Function		
Two-Way Talk	Support	
Privacy Mask	Support up to 8 areas	
Image Enhancement	AGC/AWB/AEC/3D DNR	
Triggered Events To	Client, E-mail, Phone	
Smart Functions	Humanoid Detection Alarm, Baby cry alarm	
Remote Operation	System, Stream, Alarm, Network, Storage Management, PTZ	
Hardware		
Ethernet	10M/100M Ethernet, RJ45 Port	
SD Card	Support, Up to 128GB	
Audio Input/output	Support	
Network		
Wi-Fi	Support	
AP	Support	
Stream	2x Streams	
Protocols	HTTP, TCP/IP, UDP, ICMP, DHCP, DNS, RTSP	
Simultaneous Preview	3	
User	Up to 4 Users	
App	Support iOS/Android	
General		
Working Temperature	-20°C~55°C	
Working Humidity	RH 10%~90%	
Power Supply	DC 5V / 1.5A	
Color / Material	White /Plastic	
Installation	Wall Mounting, Lifting and Pole Mounting	
Dimensions	116.4x75x78mm	Weight 290g