

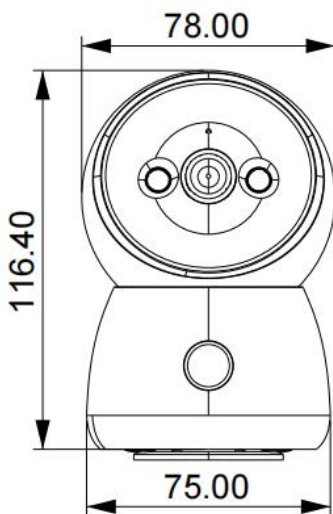
V2CAM-ROBOT-CARE

3.0MP Pan/Tilt Wi-Fi Camera



Key Features:

- Human Detection and Tracking
- Human Intelligent Snapshot Function
- Onekey Two-Way Talk (Built-in Audio Input and Output)
- Support Micro SD Card Storage, Maximum Support 128G;
- Support Real-time Remote Control
- 2 Infrared Light
- Baby cry detection



Specifications

Camera			
Image Sensor	1/2.9" CMOS		
Max Resolution	2304*1296		
Effective Pixels	3.0MP		
Compression Standard	H.265&H.264		
Frame Rate	15fps		
Main Stream	3MP(2304*1296)/2MP(1920*1080)/1MP(1280*720)		
Sub Stream	448P(800*448)/D1(704*576)/360P(640*360) / CIF(352*288)		
SNR (dB)	50dB		
Lens	4mm / M12 Interface		
Day & Night	Support, IR up to 15-20m		
Function			
Two-Way Talk	Support		
Smart Defog	Support		
Privacy Mask	Support up to 8 areas		
Image Enhancement	AGC/AWB/AEC/3D DNR		
Triggered Events To	Client, E-mail, Phone		
Smart Functions	Humanoid Detection Alarm, Baby cry alarm		
Remote Operation	System, Stream, Alarm, Network, Storage Management, PTZ		
Hardware			
Ethernet	10M/100M Ethernet, RJ45 Port		
SD Card	Support, Up to 128GB		
Audio Input/output	Support		
Network			
Wi-Fi	Support		
AP	Support		
Stream	2x Streams		
Protocols	HTTP, TCP/IP, UDP, ICMP, DHCP, DNS, RTSP		
Simultaneous Preview	4		
User	Up to 4 Users		
App	Support iOS/Android		
General			
Working Temperature	-20°C~60°C		
Working Humidity	RH 10%~90%		
Power Supply	DC12V / 2A		
Color / Material	White /Plastic		
Installation	Wall Mounting, Lifting and Pole Mounting		
Dimensions	116.4x75x78mm	Weight	290g